



SUBARU

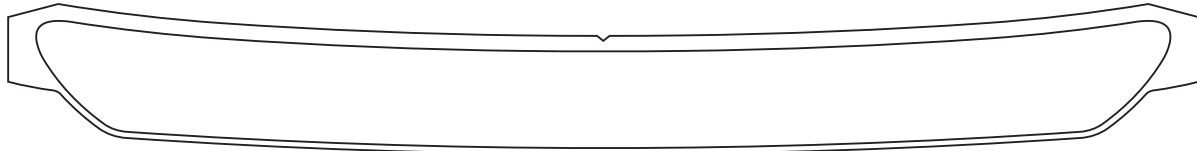
INSTALLATION INSTRUCTIONS

PART NUMBER: E771SFJ600

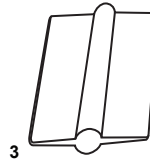
DESCRIPTION:

Installation instructions for the 2011 Impreza Sedan Rear Bumper Applique.

- KIT CONTENTS:
- 1. Rear Bumper Applique (1).
 - 2. Alcohol Pads (4).
 - 3. Squeegee (1).
 - 4. Installation Instructions (1).



1 Rear Bumper Applique



TOOLS REQUIRED:



Soft lint-free
Microfiber Cloth



Application
Solution



Squeegee

MEANING OF CHARACTERS:



Denotes warnings that may lead to serious physical injury or vehicle damage.



Denotes quality processes to be checked prior to moving to the next step.

Denotes safety equipment required to be used such as a mask, goggles, rubber gloves, and hearing protection.



Denotes cautions to be taken to avoid physical injury or electronic component damage.



Denotes specific tools that are necessary to complete the step.



Mask



Goggles



Denotes cautions to be taken to avoid vehicle and component damage.



Denotes instructional steps necessary to complete the process.



Rubber Gloves



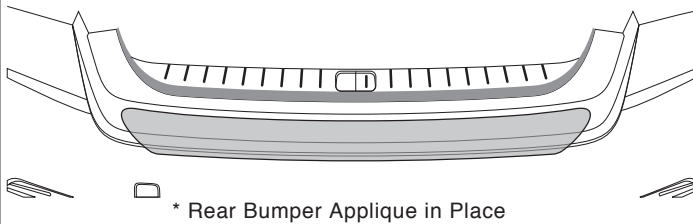
Hearing Protection

PREPARATION - BEFORE INSTALLATION:

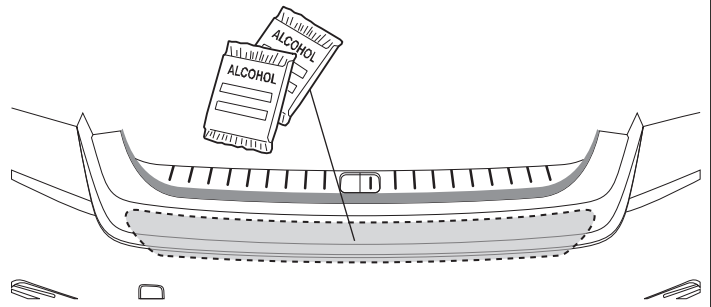
- APPLICATION SOLUTION:** Fill 32oz. trigger type spray bottle with 20% Alcohol 80% Water add 5 to 7 drops (1ml) of Dish Soap. **Note:** Solution depends on temperature of part, temperature of vehicle surface and other factors. **Note:** more soap makes it easier for the squeegee to slide bubbles out from under the part when installing.
- This product should be installed with proper installation tools.
- Install this product while observing all warnings and precautions stated in this instruction booklet.
- VERY IMPORTANT: Thoroughly wash vehicle with Soap and Water.**
- Parts storage should be flat at room temperature and in a clean dry place. **Care should be taken to avoid a dusty environment.**

Notes to the Installer

- Read the entire installation pamphlet prior to beginning the installation of the accessory.
- Ensure that the vehicle is properly protected in the area that the accessory is to be installed.
- To prevent vehicle damage, never place tools on top of painted surfaces, seats, dash pad, console or floor carpet / mat.
- Always wear appropriate safety gear to include gloves and eye protection when required.



* Rear Bumper Applique in Place

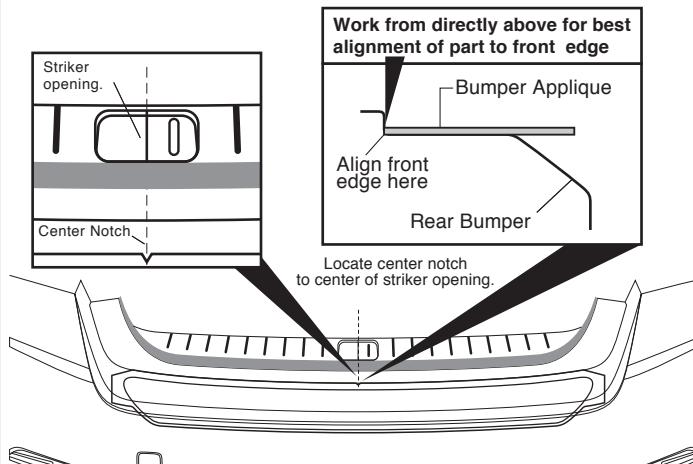


2 Alcohol Prep Pads

Thoroughly wash vehicle with a soft lint-free cloth. Wipe rear bumper area where applique will be placed, using the alcohol prep pads (4 included) or separate cloth sprayed with alcohol (70% isopropyl). Allow the area to dry completely.

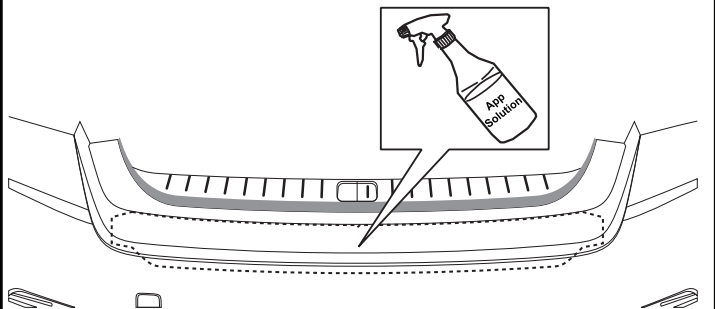
1 Inspect Bumper Surface

Inspect painted bumper surface for contaminants. Clean or buff surface if required.



3 Dry Fit

Before removing liner, locate the center notch directly under the hatch striker and align as shown above.

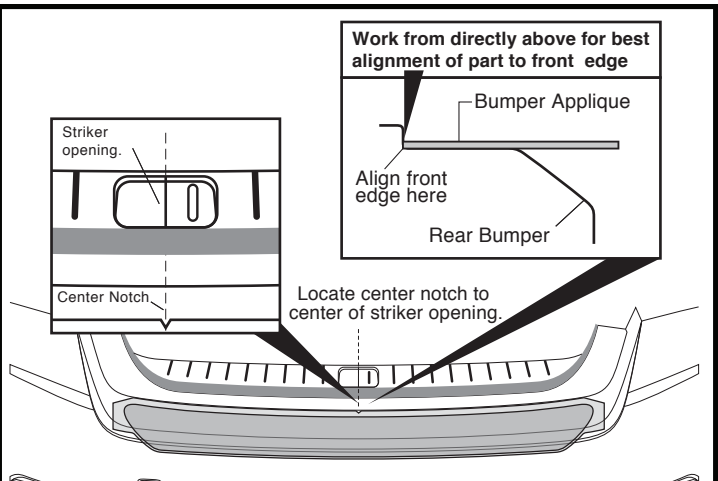
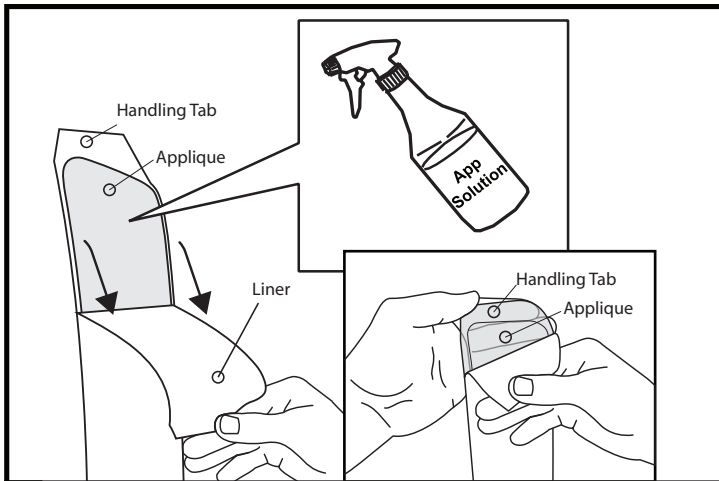


4 Spray Bumper Surface

Spray bumper surface with Application Solution.



****Use tabs when handling applique so no finger prints are left on the part adhesive.**



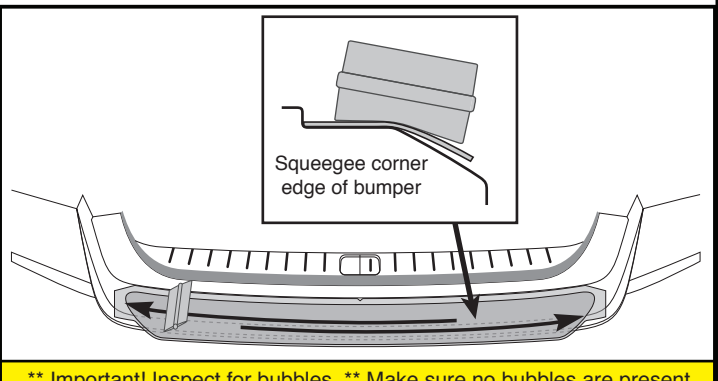
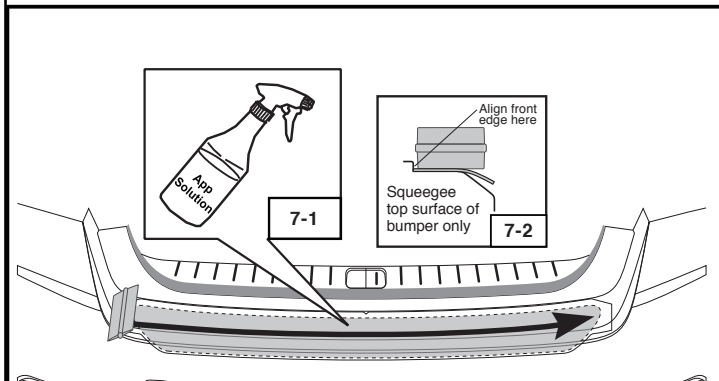
5 Separate Liner / Applique

After removal of part liner, to prevent contamination, immediately spray adhesive side of applique with an even mist of Application Solution. * Again use only handling tabs when handling applique.

**** Do not wrap the edge at this time.**

6 Applique Alignment

On prepared surface align the applique into position (centered with striker).



**** Begin squeegee stroke lightly touching premask surface. As you drag squeegee, apply firm pressure. This will aid in not leaving impressions in part. ** Do not wrap the edge at this time.**

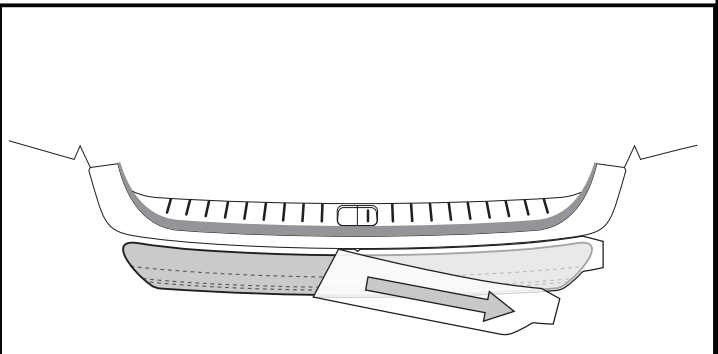
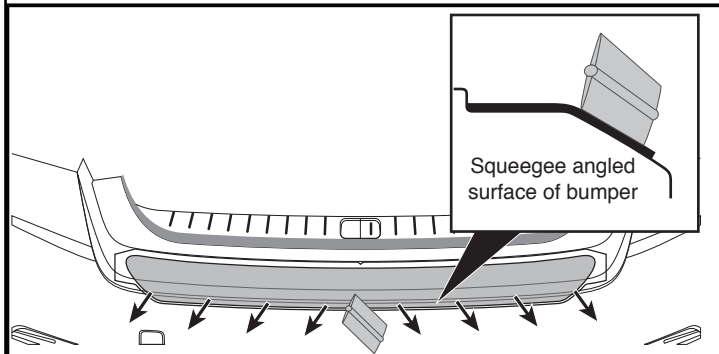
**** Important! Inspect for bubbles. ** Make sure no bubbles are present before going to the next step. ** Do not wrap the edge at this time.**

Adhering The Edge

7 Adhere Top Surface

Spray top surface of premask with an even mist of Application Solution (7-1). Firmly squeegee the applique down ONLY adhering on the horizontal surface of the bumper (7-2).

Then, firmly squeegee the corner edge of the bumper with three or four back and forth strokes in the direction shown.



**** Inspect for bubbles.**

**** Inspect for bubbles.**


9 Adhere Lower Surface

Then, holding the squeegee at a 45° angle, firmly squeegee the angled surface of the bumper from center to right with several strokes. Then firmly squeegee center to left with several strokes. **Make sure all air and water is removed from under applique.** Re-squeegee any edges that may have lifted. Alcohol & water solution can be sprayed under edges if not adhering.



10 Removal of Premask

Remove top protective covering **CAREFULLY** 180° against itself. Re-squeegee any areas or edges that may have lifted during premask removal.

Care and Cleaning

	Items to be Checked	Results of the Check
	Wash bumper applique with warm soapy water as needed, (do not use other chemical based cleaners).	

Visual Check

	Items to be Checked	Results of the Check
	Check for bubbles. - After installation is complete and if air entrapment is evident, re-spray top surface with application solution and re-squeegee.	
	Make sure all edges are firmly adhered.	